



collection

PAOLOGIORDANODESIGN  
via Savona 97  
20144 Milano - Italia  
p.iva 09082800963

T +39 02 89 51 36 20  
+39 02 92276552

W [www.i-and-i.it](http://www.i-and-i.it)

@ [info@i-and-i.it](mailto:info@i-and-i.it)  
[info@paologiordanodesign.com](mailto:info@paologiordanodesign.com)

# TRIANGULAR CONSOLLE XYZ

Design by Paolo Giordano



tall



small

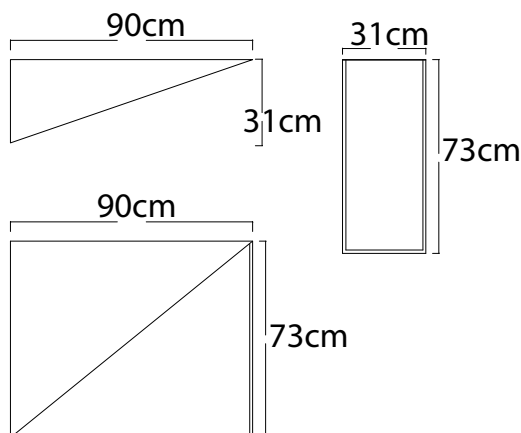
This is a project whose central focus is on visual perception. The eye regards and doesn't withdraw its gaze until has a clear perception of object it observes. 90° angles, obtuse angles, oblique and perpendicular cuts press the forms into almost 2D shapes. These slender structures bring us back to essential volumes along the axis that we call depth, more precisely the Z axis of 3D drawings.

**material** black burnished steel, supermirror steel with satin and copper finish steel

**edition of 20 pieces numbered**

**size** 90x31x73cm 34x55x43cm

tall



small

